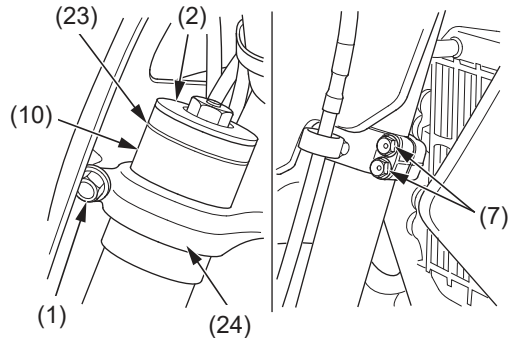


# Front Suspension Adjustments

28. Align the groove (23) in the fork tube (10) with the top surface of the upper fork clamps (24).
29. Temporarily tighten the fork bridge lower pinch bolts (7) and then tighten the fork cap (2) to the specified torque:  
25 lbf-ft (34 N·m, 3.5 kgf·m)
30. For ease of releasing air pressure after the forks are installed, loosen the fork bridge lower pinch bolts and position the fork outer tubes so that the fork air pressure release screws are in front of the rebound damping adjusters.
31. Tighten the fork bridge lower pinch bolts to the specified torque:  
16 lbf-ft (22 N·m, 2.2 kgf·m)
32. Tighten the fork bridge upper pinch bolts (1) to the specified torque:  
16 lbf-ft (22 N·m, 2.2 kgf·m)

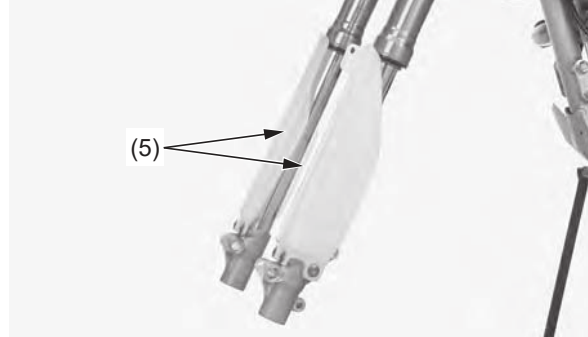
## NOTICE

*Over-tightening the pinch bolts can deform the fork tubes. Deformed fork tubes must be replaced.*



- |                                   |                       |
|-----------------------------------|-----------------------|
| (1) fork bridge upper pinch bolt  | (10) fork tube        |
| (2) fork cap                      | (23) groove           |
| (7) fork bridge lower pinch bolts | (24) upper fork clamp |

33. Clean the threads of the fork protector bolts and axle holder thoroughly.
34. Apply locking agent to the bolt threads.
35. Install the fork protectors (5) and tighten the bolts to the specified torque:  
5.2 lbf-ft (7 N·m, 0.7 kgf·m)



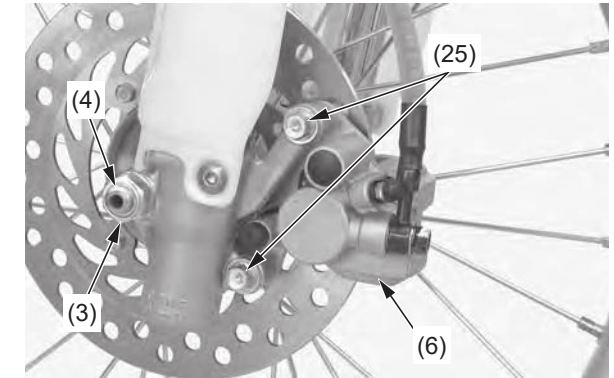
(5) fork protectors

36. Clean the surfaces where the front axle shaft and axle clamps contact each other.
37. Install the left and right side collars into the wheel hub.
38. Insert the front axle shaft (4) through the wheel hub from the right side. Make sure the axle shaft is seated firmly onto the left fork leg clamp inner surface.
39. Install the front axle nut (3).

40. Align the brake caliper (6) with the left fork leg, making sure that the brake hose is not twisted. An improperly routed brake hose may rupture and cause a loss of braking efficiency.
41. Clean the threads of the brake caliper mounting bolts (25) and brake caliper thoroughly.
42. Apply locking agent to the bolt threads.
43. Install the brake caliper on the fork slider and tighten the brake caliper mounting bolts to the specified torque:  
22 lbf-ft (30 N·m, 3.1 kgf·m)

## NOTICE

*Fit the brake caliper over the disc, taking care not to damage the brake pads.*



- |                      |                                   |
|----------------------|-----------------------------------|
| (3) front axle nut   | (6) brake caliper                 |
| (4) front axle shaft | (25) brake caliper mounting bolts |