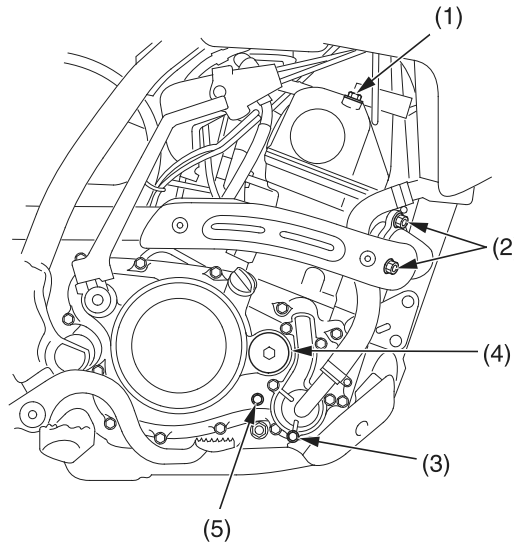


Nuts, Bolts, Fasteners

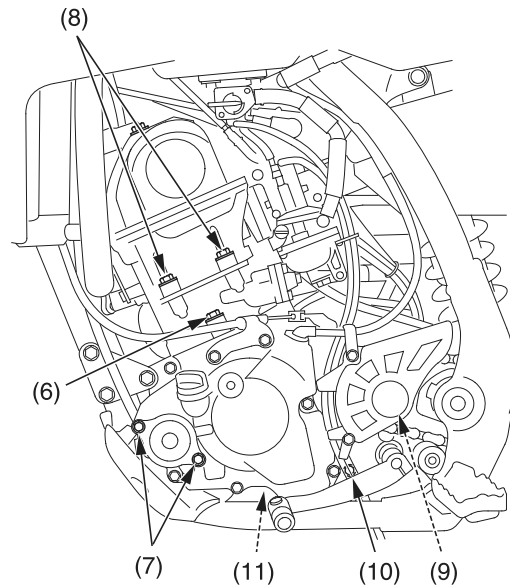
Check and tighten nuts, bolts, and fasteners before every outing.

Engine

RIGHT SIDE



LEFT SIDE



ENGINE

| Item | Torque | | | Remarks |
|------|--------|-----|-------|---------|
| | lbf•ft | N•m | kgf•m | |
| 1 | 7 | 10 | 1.0 | |
| 2 | 8 | 11 | 1.1 | |
| 3 | 7 | 10 | 1.0 | |
| 4 | 11 | 15 | 1.5 | NOTE 5 |
| 5 | 7 | 10 | 1.0 | |
| 6 | 7 | 10 | 1.0 | |
| 7 | 7 | 10 | 1.0 | |
| 8 | 7 | 10 | 1.0 | |
| 9 | 10 | 13 | 1.3 | |
| 10 | 16 | 22 | 2.2 | NOTE 3 |
| 11 | 16 | 22 | 2.2 | NOTE 3 |

NOTES: 1. U-nut.
 2. UBS nut.
 3. Apply oil to the threads and seating surface.
 4. Alock bolt.
 5. Apply grease to the threads.
 6. Apply locking agent to the threads.