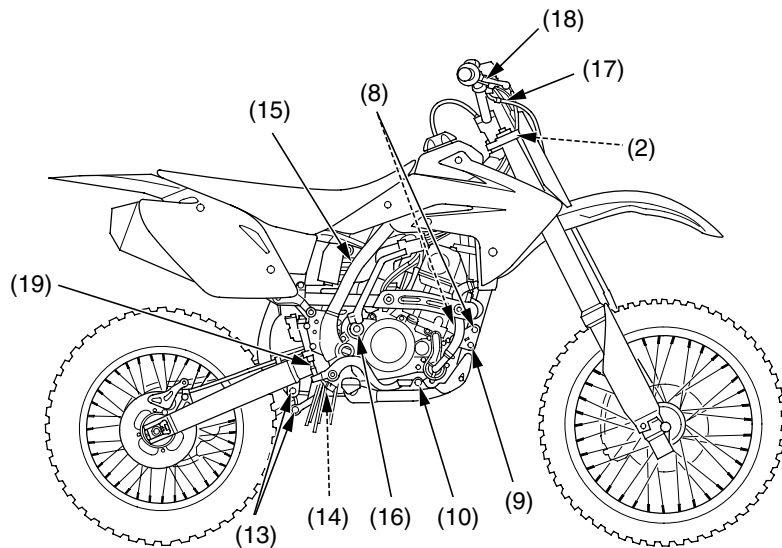
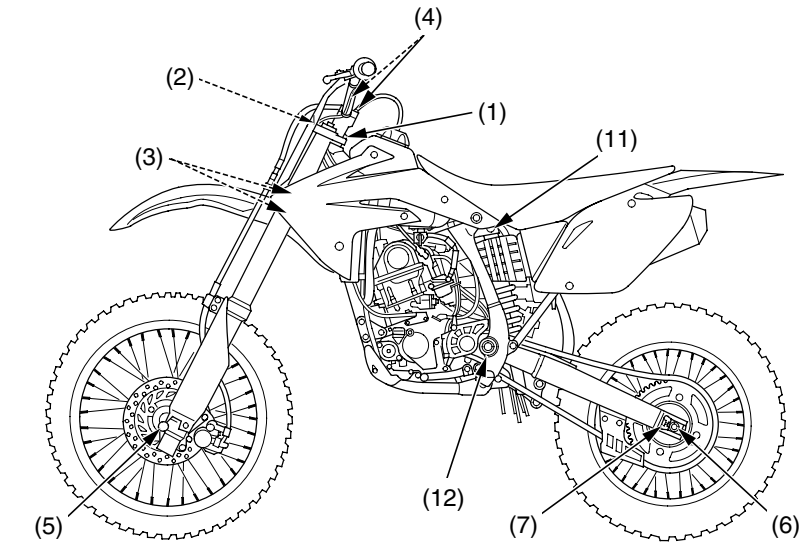


Torque Specifications

Frame



FRAME

	Item	Torque			Remarks
		lbf-ft	N·m	kgf-m	
1	Steering stem nut	94	128	13.1	
2	Fork bridge upper pinch bolts	16	22	2.2	
3	Fork bridge lower pinch bolts	16	22	2.2	
4	Handlebar upper holder bolts	16	22	2.2	
5	Front axle nut	51	69	7.0	NOTE 1
6	Rear axle nut	65	88	9.0	NOTE 1
7	Chain adjuster lock nuts	20	27	2.8	NOTE 2
8	Front engine hanger bracket nuts (10 mm)	47	64	6.5	
9	Front engine hanger bracket nut (8 mm)	25	34	3.5	
10	Middle engine mounting nut	47	64	6.5	
11	Shock absorber	32	44	4.5	NOTE 1
12	Swingarm pivot nut	61	83	8.5	
13	Rear shock arm nuts (swingarm side) (shock link side)	32	44	4.5	NOTE 1
		32	44	4.5	NOTE 1
14	Rear shock link nuts (frame side)	32	44	4.5	NOTE 1
15	Shock spring lock nut	32	44	4.5	
16	Kickstarter arm bolt	28	38	3.9	
17	Throttle cable adjuster lock nut	3.0	4.0	0.4	
18	Brake lever adjuster lock nut	4.4	5.9	0.6	
19	Brake pedal adjuster lock nut	4.4	5.9	0.6	

- NOTES:
1. U-nut.
 2. UBS nut.
 3. Apply oil to the threads and flange surface.
 4. Lock bolt.
 5. Apply grease to the threads.
 6. Apply locking agent to the threads.