

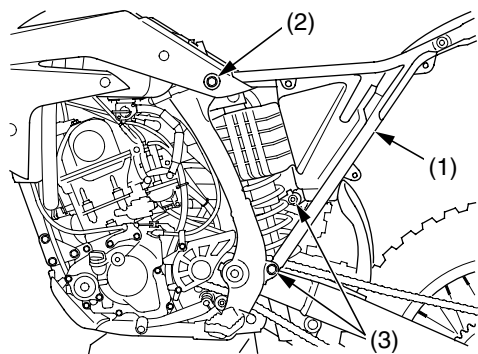
Installation

1. Loosely attach the upper and lower ends of the subframe (1) to the mainframe while connecting the air cleaner connecting tube to the carburetor.

Be careful not to bend the subframe.

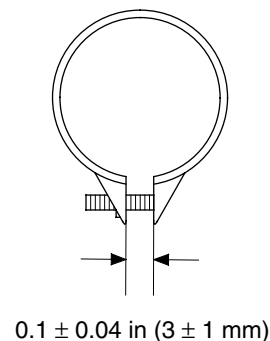
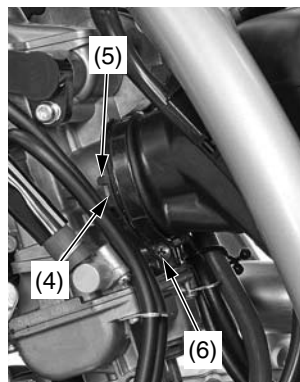
Install the subframe upper mounting bolt (2) and lower mounting bolts (3).

Tighten the upper mounting bolt and lower mounting bolts to the specified torque:
22 lbf·ft (30 N·m, 3.1 kgf·m)



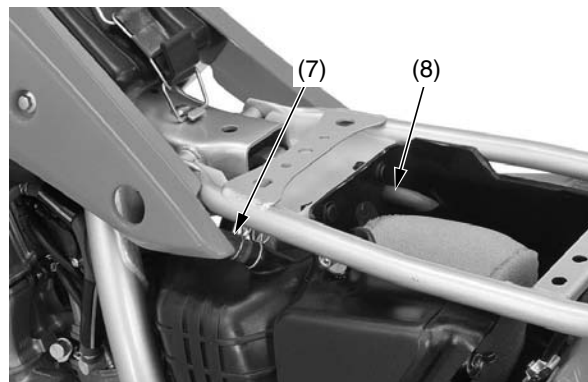
- (1) subframe
- (2) subframe upper mounting bolt
- (3) subframe lower mounting bolts

2. Make sure the carburetor tab (4) aligns with the air cleaner connecting tube groove (5).
3. Tighten the connecting tube clamp screw (6) so the gap between the tabs of the clamp is 0.1 ± 0.04 in (3 ± 1 mm).



- (4) carburetor tab
- (5) air cleaner connecting tube groove
- (6) connecting tube clamp screw

4. Connect the crankcase breather tube (7).
5. Route the transmission breather tube (8) into the air cleaner housing.



- (7) crankcase breather tube
- (8) transmission breather tube

6. Install the seat (page 29).
7. Install the muffler (pages 86).