

# Taking Care of the Unexpected

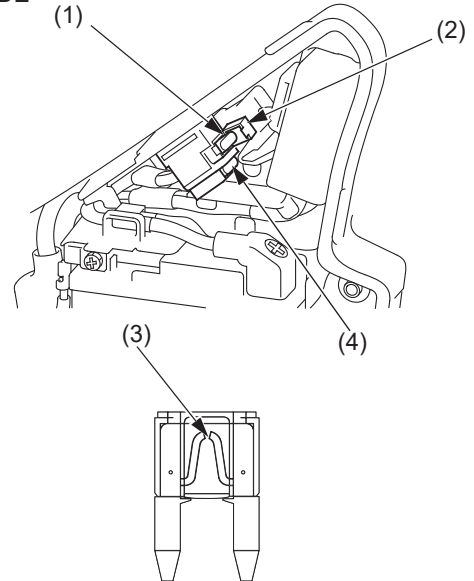
The fuse is located behind the left side cover.

## Recommended Fuse

main fuse	10 A
-----------	------

1. To prevent an accidental short circuit, turn the ignition switch OFF before checking or replacing the fuse.
2. For access the main fuse (1), remove the left side cover (page 56).
3. Open the fuse case (2) and pull the fuse out. If the main fuse is blown (3), install a new main fuse (4).
4. Close the fuse case.
5. Install the left side cover.

LEFT SIDE



(1) main fuse  
(2) fuse case

(3) blown fuse  
(4) spare main fuse