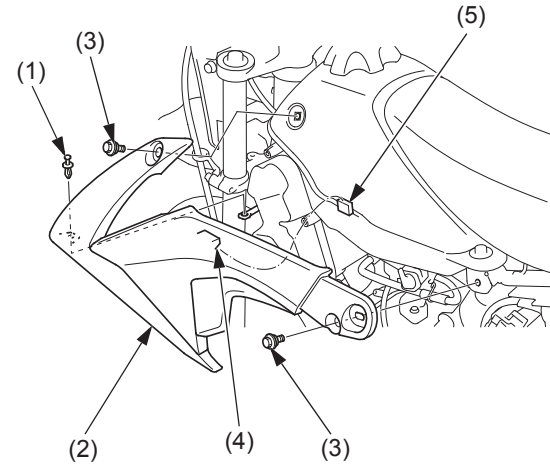


Left Fuel Tank Shroud Removal

Refer to *Safety Precautions* on [page 45](#).

LEFT SIDE



(1) clip
(2) left fuel tank shroud
(3) bolts

(4) slot
(5) tab

Removal

1. Remove the left side cover ([page 56](#)).
2. Remove the clip (1) ([page 59](#)).
3. Remove the left fuel tank shroud (2) by removing the bolts (3).

Installation

1. Install the left fuel tank shroud, aligning its slot (4) with the tab (5) on the fuel tank.
2. Install the bolts and tighten them.
3. Install the clip ([page 59](#)).
4. Install the left side cover ([page 56](#)).