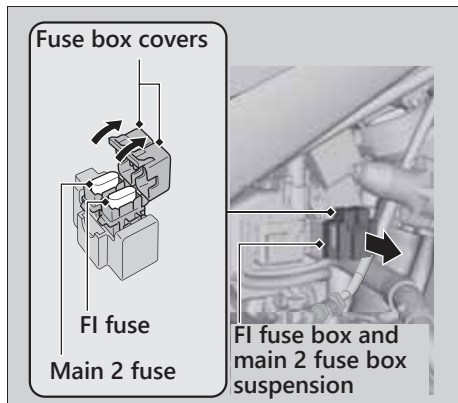


I FI Fuse & Main 2 Fuse

CRF1100A/A4



1. Remove the battery box cover. **2 P. 249**
2. Pull the FI fuse box and main 2 fuse box suspension out.
3. Open the fuse box cover.
4. Pull the FI fuse and main 2 fuse out with the fuse puller provided on the underside of the rear seat (**2 P. 222**) and check for a blown fuse. Always replace a blown fuse with a spare fuse of the same rating.
 - u Spare FI fuse is provided in the fuse box under the front seat. **2 P. 333**
 - u Spare main 2 fuse is provided in the starter magnetic switch.
5. Reinstall parts in the reverse order of removal.