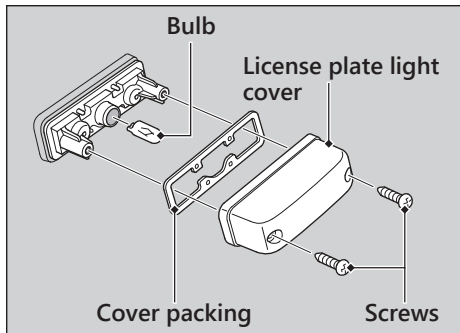


License Plate Light Bulb

1. Remove the screws.
2. Remove the license plate light cover and license plate light cover packing.
3. Pull out the bulb without turning it.



4. Install a new bulb and parts in the reverse order of removal.

Blown Fuse

Before handling fuses, see "Inspecting and Replacing Fuses." 2 P. 99

Fuse Box Fuses

1. Remove the front seat. 2 P. 111
2. Open the fuse box covers.
3. Pull the fuses out with the fuse puller in the tool kit one by one check for a blown fuse. Always replace a blown fuse with a spare fuse of the same rating.
4. Close the fuse box covers.
5. Reinstall the front seat.