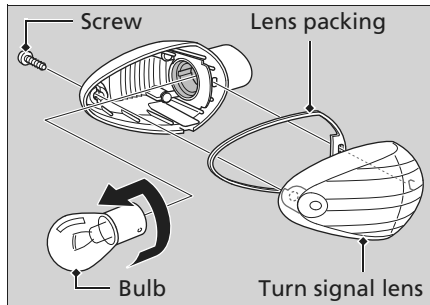


## Front/Rear Turn Signal Bulb

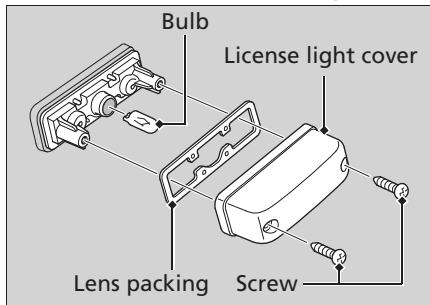
1. Remove the screw.
2. Remove the turn signal lens and lens packing.
3. Slightly press the bulb in and turn it counterclockwise.



4. Install a new bulb and parts in the reverse order of removal.

## License Plate Light

1. Remove the screws.
2. Remove the license light cover and license light cover packing.
3. Pull out the bulb without turning.



4. Install a new bulb and parts in the reverse order of removal.