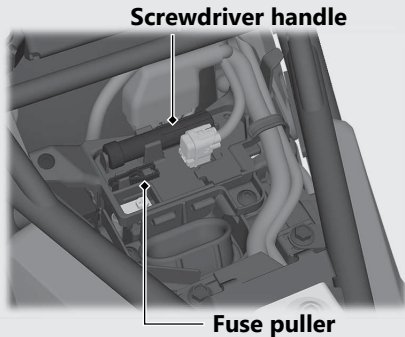


Storage Equipment *(Continued)*

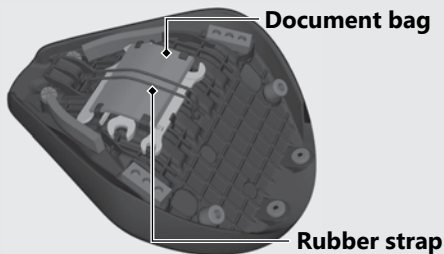
The screwdriver handle and fuse puller are stored on the battery cover under the seat.



Document Bag

The document bag for the owner's manual is stored on the underside of the seat. Store the document bag onto the tool kit, and secure them with the rubber strap.

Canada model shown



Removing the Seat  P.66