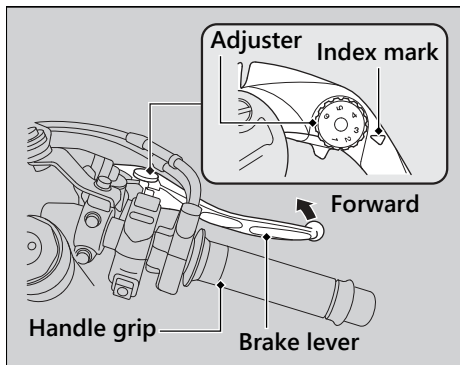


## Other Adjustments ► Adjusting the Front Suspension

After adjustment, check that the lever operates correctly before riding.

### NOTICE

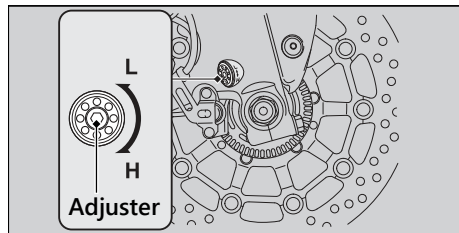
Do not turn the adjuster beyond its natural limit.



## Adjusting the Front Suspension

### Spring Preload

You can adjust the spring preload by the adjuster to suit the load or the road surface. Turn clockwise to increase spring preload (high), or turn counterclockwise to decrease spring preload (low). The standard position is the 4 1/2 turns from the minimum setting.



### NOTICE

Do not turn the adjuster beyond its limits. Adjust both left and right forks to the same spring preload.