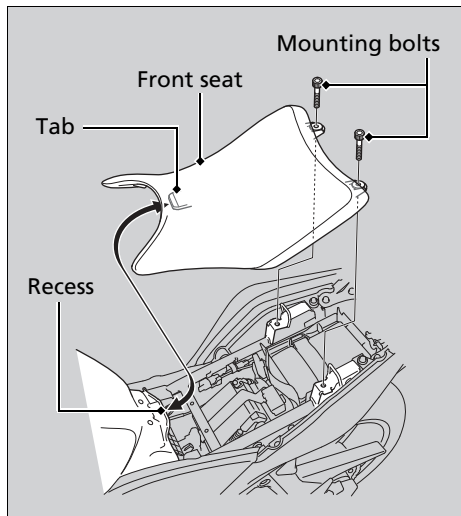


## Front Seat



### Removal

1. Remove the rear seat. ► P. 49
2. Remove the mounting bolts, and then pull the front seat back and up.

### Installation

1. Insert the tab into the recess.
2. Install and tighten the mounting bolts securely.  
Make sure that the seat is locked securely in position to pull it up lightly.