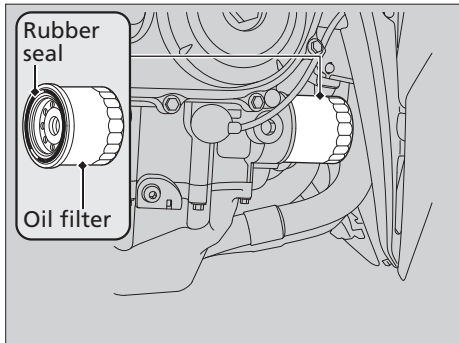


7. Remove the oil filter with a filter wrench and let the remaining oil drain out. Make sure the prior seal is not stuck to the engine.
 - Discard the oil and oil filter at an approved recycling center.



8. Apply a thin coat of engine oil to the rubber seal of a new oil filter.
9. Install a new oil filter and tighten.

Torque: 19 lbf·ft (26 N·m, 2.7 kgf·m).

10. Install a new sealing washer onto the drain bolt. Tighten the drain bolt.

Torque: 22 lbf·ft (30 N·m, 3.1 kgf·m).

11. Fill the crankcase with the recommended oil (► P. 58) and install the oil fill cap.

Required oil

When changing oil & engine oil filter:

3.2 US qt (3.0 liters)

When changing oil only:

3.0 US qt (2.8 liters)

12. Check the oil level. ► P. 70
13. Check that there are no oil leaks.
14. Install the lower fairing.