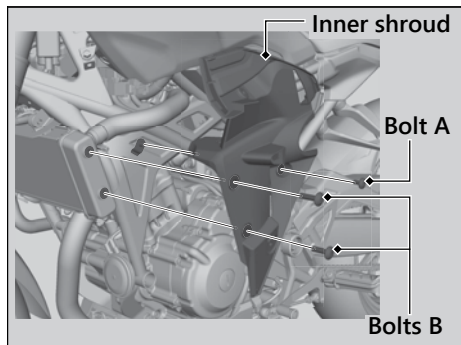


- Remove the inner shroud bolt A, bolts B and inner shroud.



Installation

- Install the inner shroud and tighten the inner shroud bolts B.

Torque: 7 lbf·ft (10 N·m, 1.0 kgf·m)

- Install and tighten the inner shroud bolt A.

Torque: 3.1 lbf·ft (4.2 N·m, 0.4 kgf·m)

- Install the outer shroud by inserting its tab into the slot on the inner shroud.
- Install and tighten the outer shroud bolt.

Torque: 3.1 lbf·ft (4.2 N·m, 0.4 kgf·m)

- Install the clip.