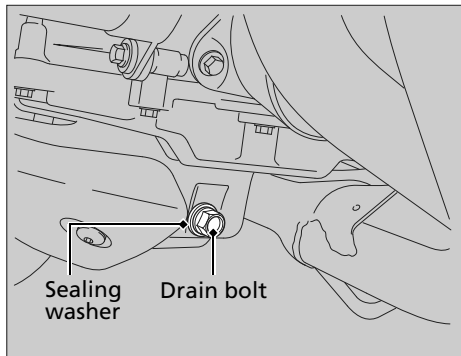


1. If the engine is cold, idle the engine for 3 to 5 minutes.
2. Turn the ignition switch off and wait for 2 to 3 minutes.
3. Place on a firm, level surface and lower the side stand.
4. Place a drain pan under the drain bolt.
5. Remove the oil fill cap, drain bolt, and sealing washer to drain the oil.



6. Remove the oil filter guard by removing the bolts and washers.
7. Remove the oil filter with a filter wrench and let the remaining oil drain out. Make sure the prior seal is not stuck to the engine.
 - Discard the oil and oil filter at an approved recycling center.

