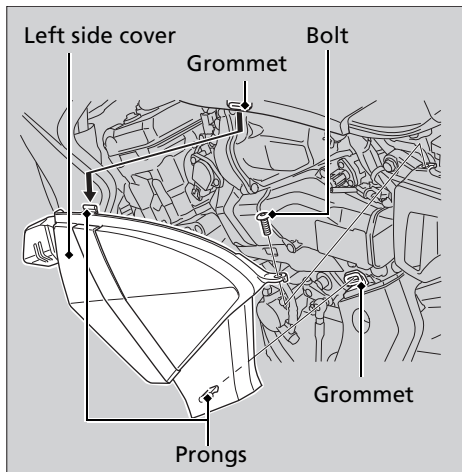


Left Side Cover



Removal

1. Remove the rear seat and front seat.
► P. 56, 57
2. Remove the bolt.
3. Pull the prongs out from the grommets, then remove the left side cover.

Installation

1. Position the cover so that the prongs are aligned with the grommets.
2. Push the prongs in.
3. Install and tighten the bolt.
4. Install the front seat and rear seat.