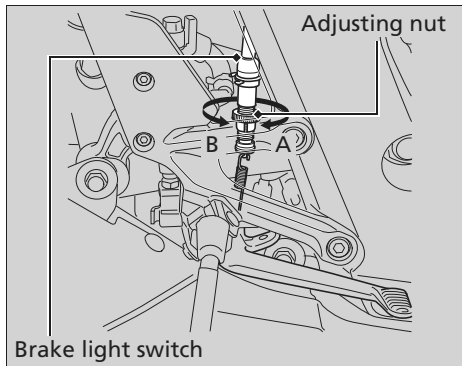


Adjusting the Brake Light Switch

Check the operation of the brake light switch. Hold the brake light switch and turn the adjusting nut in the direction A if the switch operates too late, or turn the nut in the direction B if the switch operates too soon.



Adjusting the Headlight Aim

You can adjust vertical aim of the headlight for proper alignment. Turn the screw using a Phillips screwdriver in or out as necessary. Obey local laws and regulations.

