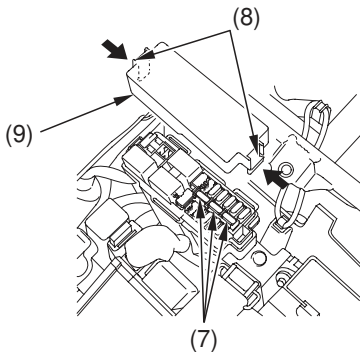


If a Fuse Blows

UNDER FRONT SEAT



- (7) spare fuses
- (8) tabs
- (9) fuse box cover

Circuit Fuse Access:

6. Release the tabs (8), then remove the fuse box cover (9).
7. To check or replace a circuit fuse, pull the old fuse out of its retaining clips. Look for a burned wire inside the fuse. If the fuse is blown (10), replace it with a spare fuse (7) of the same rating.

If you do not have a replacement fuse with the proper rating for the circuit, install one with a lower rating.

NOTICE

Replacing a fuse with one that has a higher rating greatly increases the chance of damage to the electrical system.