

## LINE mode

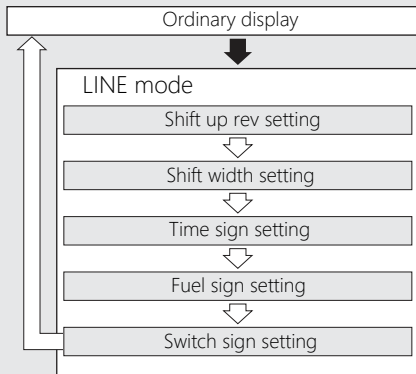
Following items can be changed sequentially.

- Shift up rev setting
- Shift width setting
- Time sign setting
- Fuel sign setting
- Switch sign setting



**Multi color line**

If the time sign, fuel sign and switch sign setting is on, the multi color line lights or blinks.



➡ Press and hold the **SEL** (up) or the **SEL** (down) button and the **MODE** button

➡ Press the **MODE** button