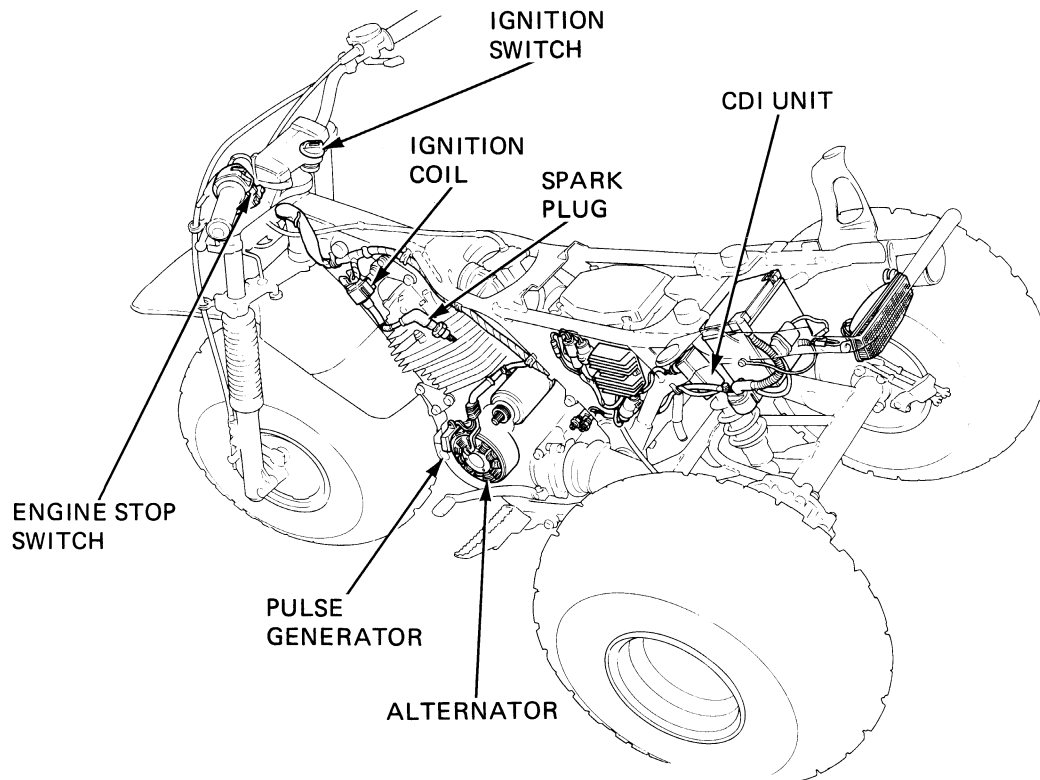


# IGNITION SYSTEM



- G: Green
- Bl/W: Black/White
- Bl/Y: Black/Yellow
- Lg/R: Light Green/Red

