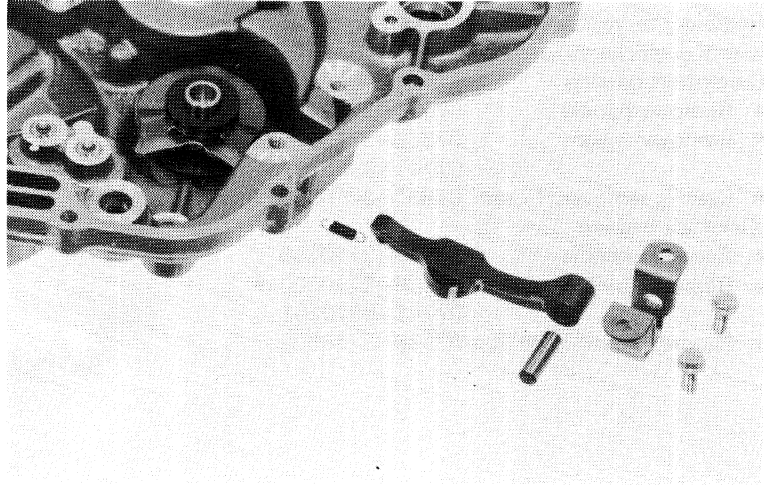
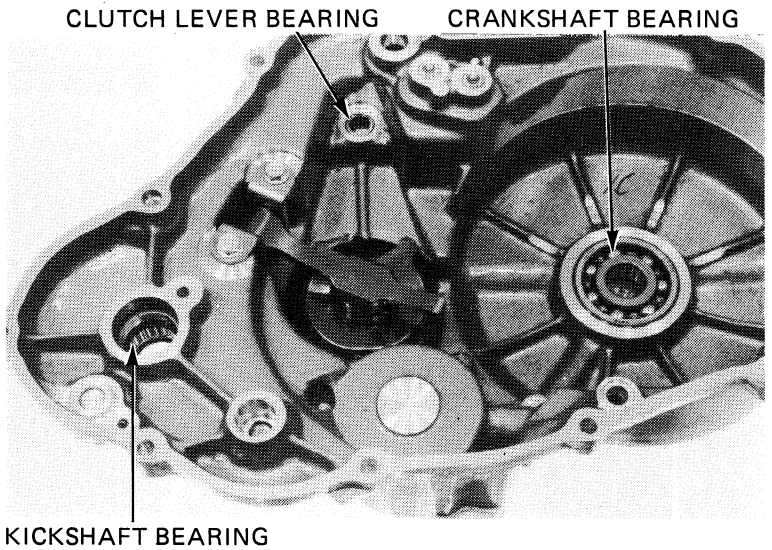


Install the removing parts in the reverse order of removal.



BEARING/OIL SEAL INSPECTION

Check the kickshaft, clutch lever and crankshaft bearings on the right crankcase cover for wear or damage.



Check the oil seals for wear or damage.

