

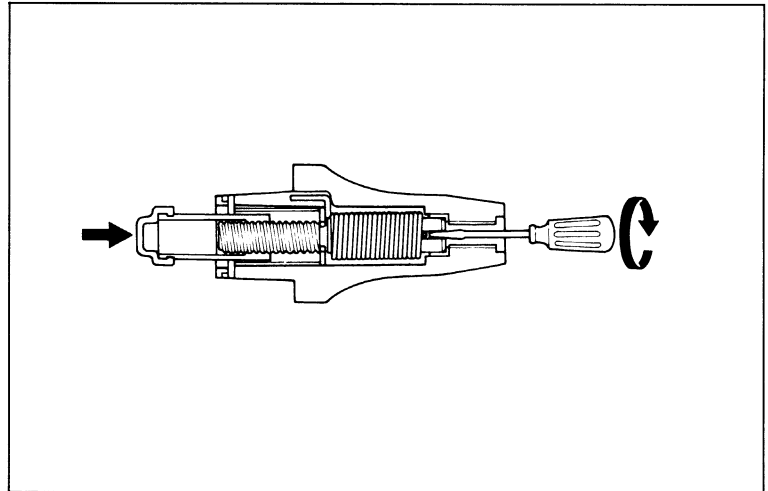
After '86:

Remove the cam chain tensioner sealing bolt and gasket from the tensioner.

Turn the tensioner shaft clockwise with a small screwdriver to retract the tensioner, and hold it in the fully retracted position.

NOTE:

The tensioner will be forced out by the spring when it is released.



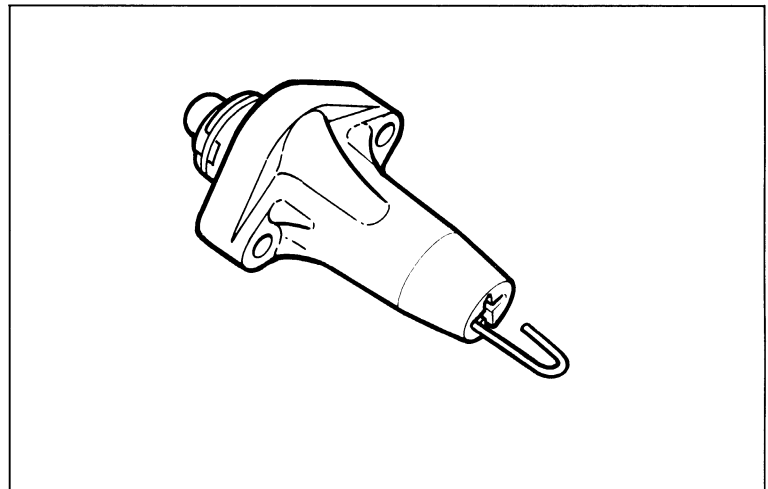
Wedge the tensioner shaft with a piece of heard wire as shown to hold the tensioner.

Install the cam chain tensioner gasket.

Install the cam chain tensioner and tighten the attaching bolts securely.

Remove the holder piece from the chain tensioner.

Install the gasket and bolt, and tighten the bolt securely.



CYLINDER HEAD COVER ASSEMBLY/ INSTALLATION

ASSEMBLY

Apply oil to the rocker arm shafts and arms. Install new O-rings into the groove of the rocker arm shafts and install the rocker arms and shafts. Align the dowel pin holes in the cylinder head cover and rocker arm shaft and install new dowel pins.

