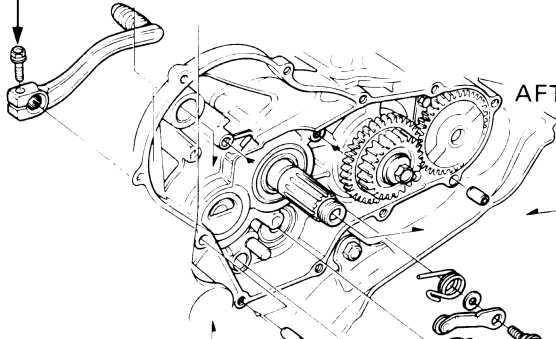
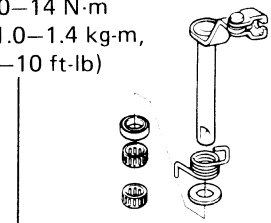


CLUTCH/GEARSHIFT LINKAGE/KICK STARTER

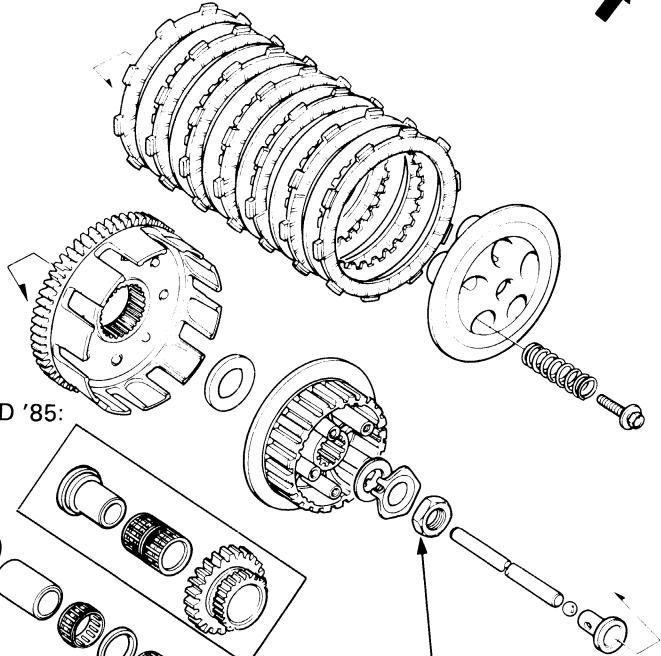
F.W.D.



10–14 N·m
(1.0–1.4 kg·m,
7–10 ft·lb)

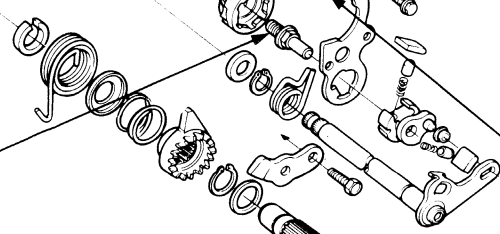


AFTER MID '85:

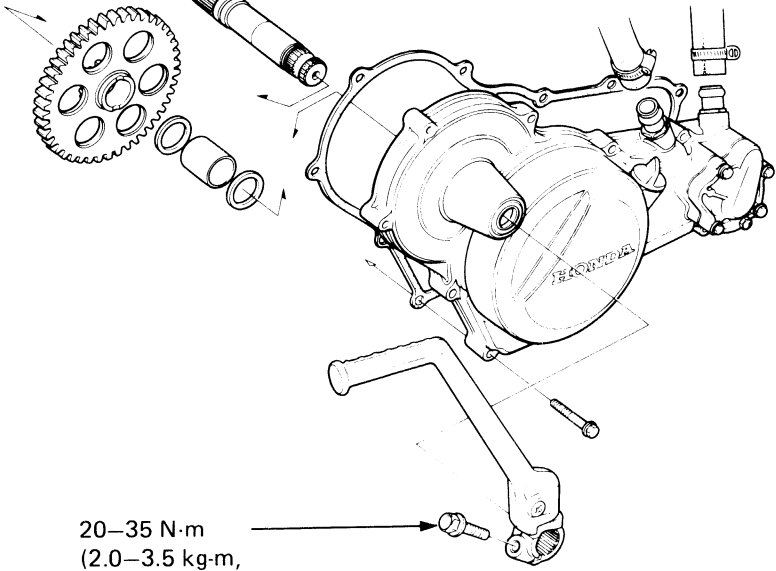


55–65 N·m
(5.5–6.5 kg·m,
40–47 ft·lb)

20–24 N·m
(2.0–2.4 kg·m,
14–17 ft·lb)



10–14 N·m
(1.0–1.4 kg·m,
7–10 ft·lb)



20–35 N·m
(2.0–3.5 kg·m,
14–25 ft·lb)