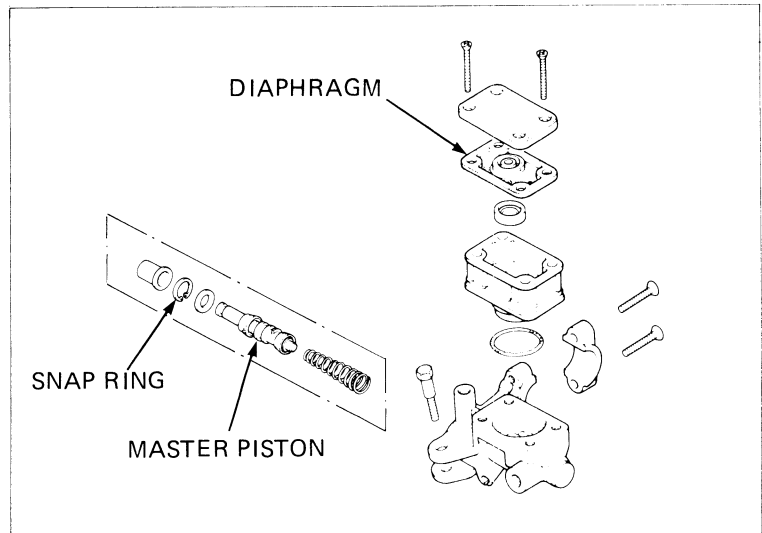




Remove the reservoir from the master cylinder.

Clean the master cylinder and reservoir in clean brake fluid.

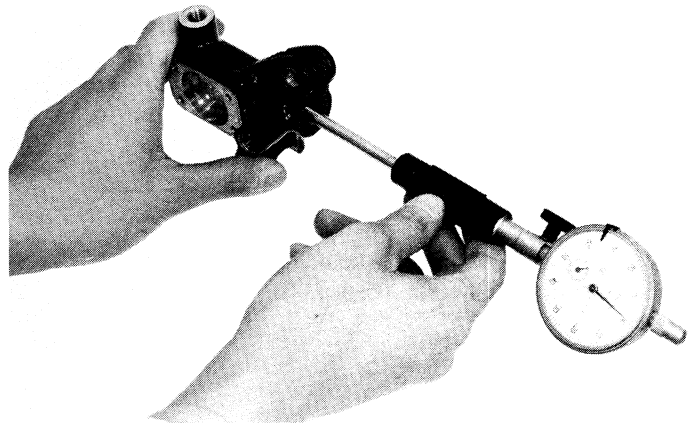


MASTER CYLINDER INSPECTION

Check the master cylinder for score marks, scratches or other damage.

Measure the master cylinder I. D.

SERVICE LIMIT: 12.755 mm (0.5022 in)



MASTER PISTON INSPECTION

Check the master piston for score marks, scratches or other damage.

Measure the master piston O. D.

SERVICE LIMIT: 12.645 mm (0.4979 in)

