

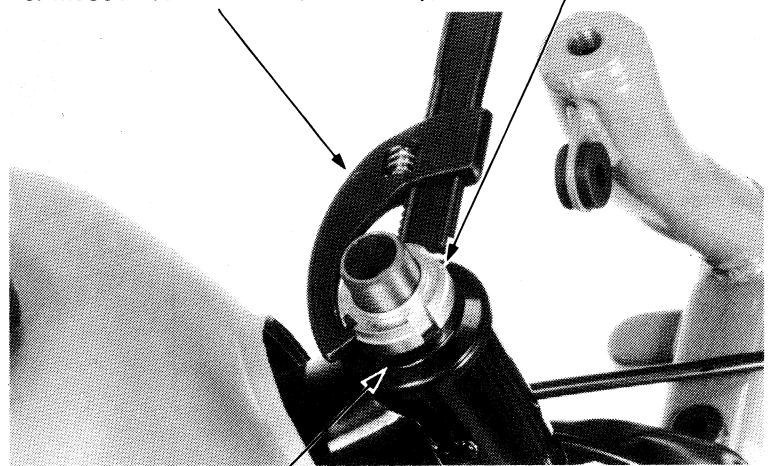
FRONT WHEEL/SUSPENSION/BRAKE/ STEERING

Install the bearing adjustment nut and dust cover and tighten it snug against the top cone race. Then, back it off 1/8 turn.

Make sure that there is no vertical movement and that the stem rotates freely.

PIN SPANNER 07702-0020000
or M9361-412-099788 (U.S.A. only)

BEARING ADJUSTMENT
NUT



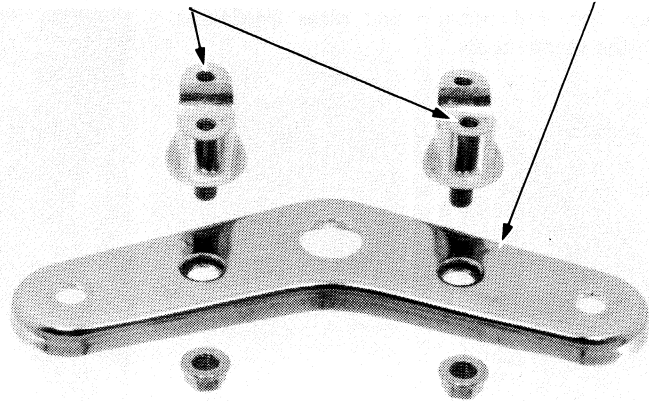
DUST COVER

Attach the handlebar lower holders loosely to the top bridge.

Place the top bridge into position on the fork tubes, and steering stem.

HANDLEBAR LOWER HOLDERS

TOP BRIDGE



Install the steering stem nut and fork bridge bolts. Tighten the stem nut.

TORQUE: 50-70 N·m
(5.0-7.0 kg-m, 36-51 ft-lb)

Tighten the fork bridge bolts.

TORQUE: 50-70 N·m
(5.0-7.0 kg-m, 36-51 ft-lb)

LOCK NUT WRENCH, 30 x 32 mm
Commercially available in U.S.A.

EXTENSION BAR
Commercially available
in U.S.A.



FORK BRIDGE BOLTS