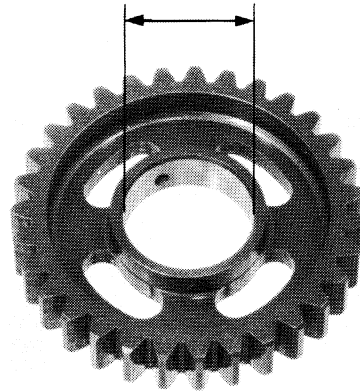


Check the gear dogs, dog holes and teeth for excessive or abnormal wear, or evidence of insufficient lubrication.

Measure the I.D. of each gear.

SERVICE LIMITS:

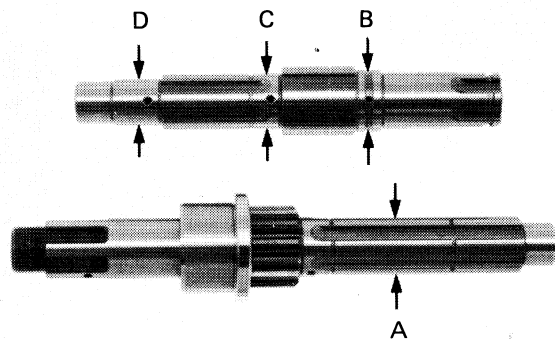
- M4 – 20.09 mm (0.791 in)
- M5 – 20.09 mm (0.791 in)
- C1 – 16.58 mm (0.653 in)
- C2 – 22.09 mm (0.870 in)
- C3 – 20.09 mm (0.791 in)



Measure the O.D. of the mainshaft and countershaft.

SERVICE LIMITS:

- A (at M4, M5 gears): 19.91 mm (0.784 in)
- B (at C3 gear): 19.91 mm (0.784 in)
- C (at C2 gear): 21.91 mm (0.863 in)
- D (at C1 gear): 16.42 mm (0.646 in)



Check the transmission bearings for excessive play or damage and replace if necessary.

