

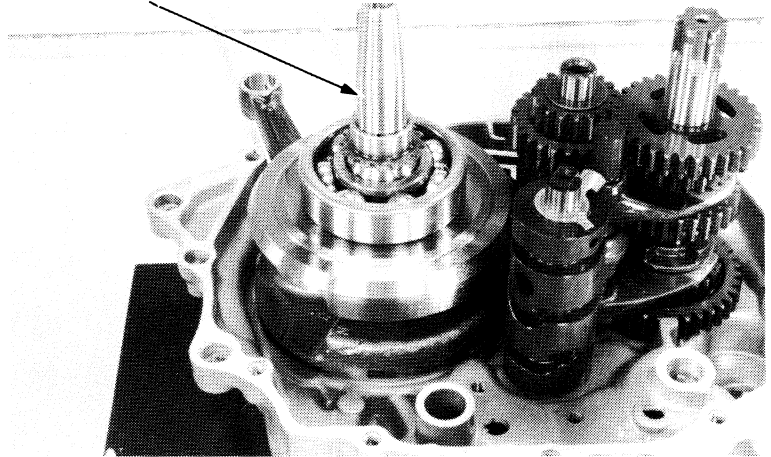
CRANKSHAFT REMOVAL

Remove the left crankcase (Page 10-2).

CAUTION

Be careful not to damage the oil pressure pad.

CRANKSHAFT

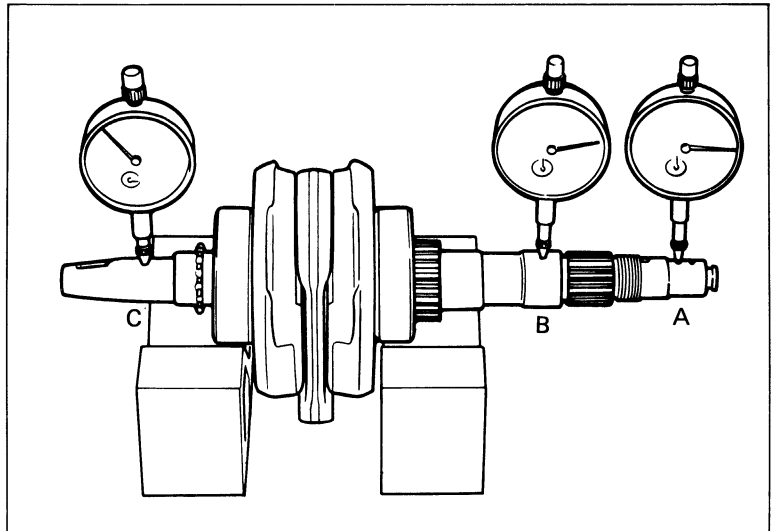


CRANKSHAFT INSPECTION

Set the crankshaft on a stand or V-blocks and read the runout using dial indicators.

SERVICE LIMITS:

- A: 0.12 mm (0.005 in)
- B, C: 0.08 mm (0.003 in)



Measure the side clearance at the connecting rod big end with a feeler gauge.

SERVICE LIMIT: 0.80 mm (0.032 in)

