

(1) LOWER MOUNTING BOLT/NUT

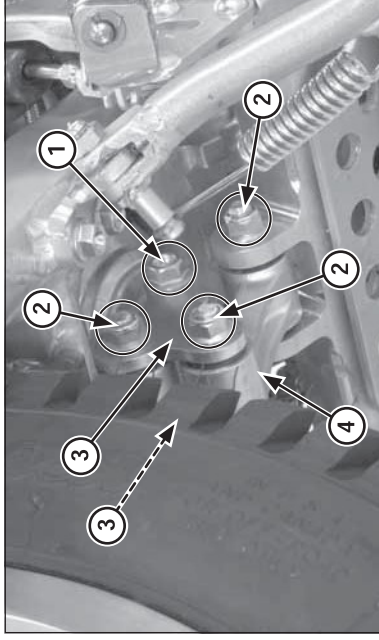
Move the swingarm aligning the lower mount, then install the lower mounting bolt from the right side.

Install and tighten the upper and lower mounting nuts to the specified torque.

Torque:

Upper mounting bolt: 39 N·m (4.0 kgf·m, 29 lbf·ft)

Lower mounting bolt: 39 N·m (4.0 kgf·m, 29 lbf·ft)



(1) LOWER MOUNTING BOLT/NUT
 (2) BOLTS/NUTS
 (3) CUSHION ARM PLATES
 (4) CUSHION LINK

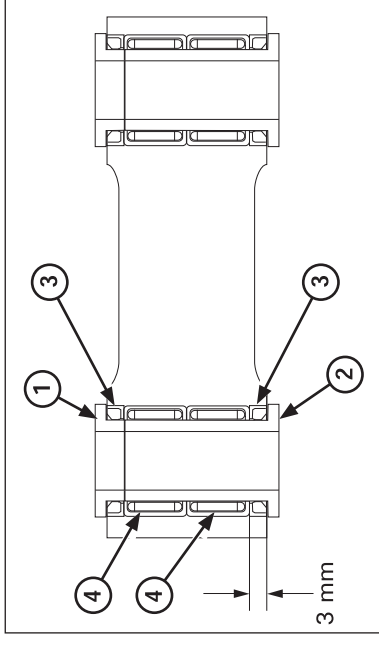
Shock Linkage

Removal

Raise the rear wheel off the ground with a block or maintenance stand under the engine.

Remove the following:

- Rear cushion lower mounting bolt/nut
- Cushion arm plate-to-cushion link bolt/nut
- Cushion arm plates-to-swingarm bolt/nut
- Cushion arm plates
- Cushion link-to-frame socket bolt/nut
- Cushion link



(1) PIVOT COLLAR A
 (2) PIVOT COLLAR B
 (3) DUST SEALS
 (4) NEEDLE BEARINGS

Needle Bearing Replacement

Remove the pivot collars and dust seals.

Check the cushion link needle bearings for damage.

Remove the cushion link needle bearings using the special tool.

Tool:

Bearing driver 07946-MJ00000

Press new needle bearings into the cushion link to 3 mm (0.12 in) below the surface of the cushion link using the special tool, on both sides.

Face the bearing with its marked side facing out.

Tool:

Bearing driver 07946-MJ00000

Apply multi-purpose grease to the collars and dust seal lips.

Install the dust seals and pivot collars.