

- (1) SPRING COMPRESSOR
- (2) ATTACHMENT
- (3) SPRING SEAT STOPPER

**DISASSEMBLY**

Loosen the spring lock nut and adjuster.  
 Remove the lower mounting collars.  
 Set the shock absorber in the shock absorber compressor and attachment.

**Tools:**

- Shock absorber compressor** 07GME-0010100
- Compressor attachment** 07959-MB10000

Remove the stopper ring, spring seat and spring.

**Inspection**

- Check the following items (page 2-4):
- Upper and lower spherical bearing for wear or damage
  - Spring for damage and measure the free length
  - Damper for oil leakage from the damper rod

Replace the damper unit if an oil leak is detected.



- (1) VALVE CAP

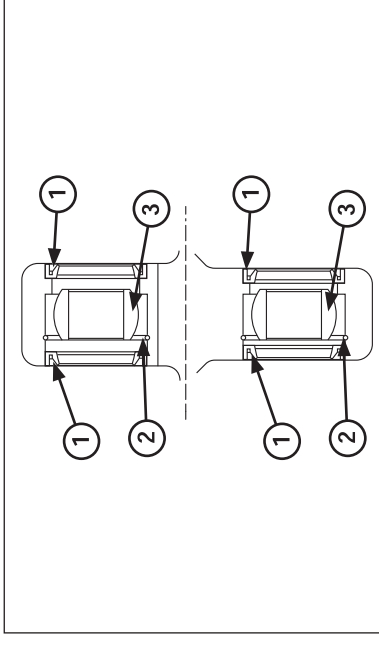
**Nitrogen Releasing Procedure**

Remove the air valve cap and press the valve stem and release the nitrogen from the damper until pressure is released.

Before disposal of the shock absorber, release the nitrogen from the damper.

Wear adequate eye protection.

Point the valve away from you to prevent debris getting into your eyes.



- (1) DUST SEALS
- (2) STOP RING
- (3) SPHERICAL BEARING

**Spherical Bearing Replacement**

Remove the collars and dust seals.

Check the spherical bearing for smooth rotation or damage.

Remove the stop ring

Press the spherical bearing out using the special tool.

**Tool:**

- Spherical bearing driver** 07HMF-KS60100

Press a new spherical bearing into the shock absorber pivot until its seats using same tool.  
 Install the new stop ring into the groove.

Apply grease to the dust seal lips.  
 Install the dust seals and collars.