

Spokes: Check spoke tension frequently between the first few rides. As the spokes, spoke nuts and rim contact points seat-in, the spokes may need to be retightened.

Once past this initial seating-in period, the spokes should hold their tension. Still, be sure your race maintenance program includes checking spoke tension and overall wheel condition on a regular basis.



(1) ADJUSTER  
(2) AXLE

## Rear Wheel

### Removal

Raise the rear wheel off the ground and support it with a block or maintenance stand under the engine.

Remove the following:

- Axle nut and drive chain adjuster
- Drive chain
- Axle, drive chain adjuster and rear wheel

Do not depress the brake pedal after the rear wheel is removed. The caliper pistons will move and make reassembly difficult.

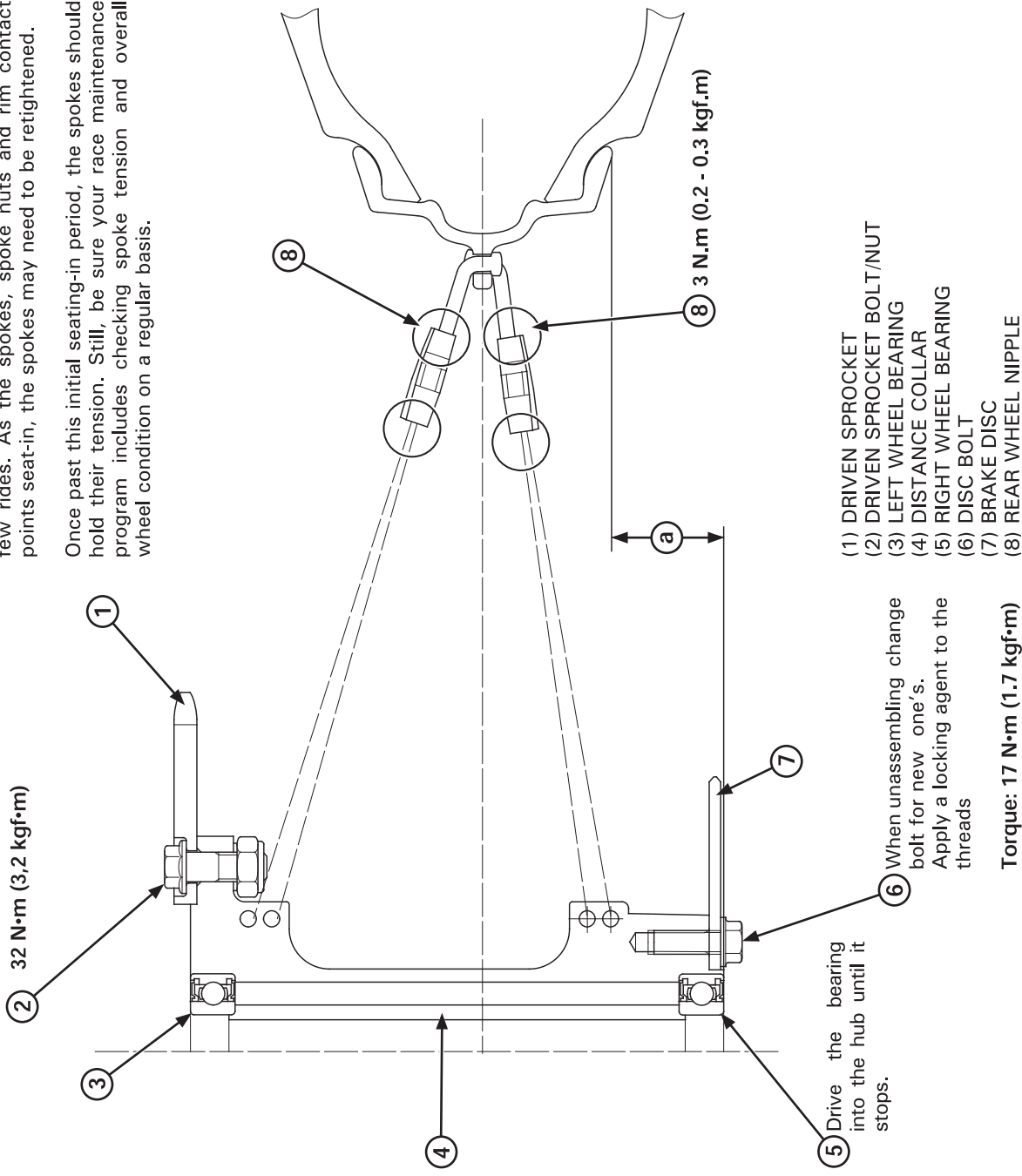
### Disassembly/Assembly



## WARNING

A contaminated brake disc or pad reduces stopping power, and can cause a serious injury or death.

Discard contaminated pads and clean a contaminated disc with a high quality brake degreasing agent.



(a) 30 ± 0.5 mm