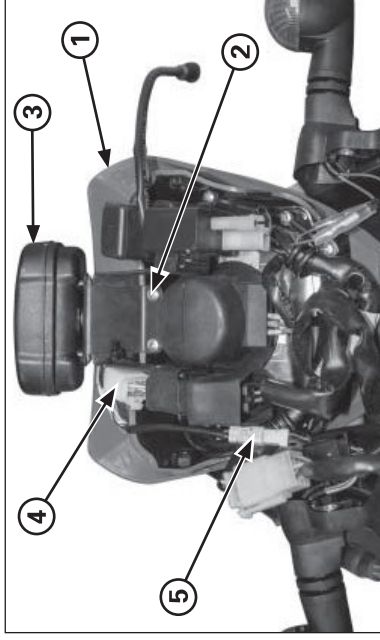


(1) CONNECTOR 2P FROM THE REAR BRAKE LIGHT SWITCH.

Rear:

Disconnect the connector 2P from the rear brake light switch.
There should be continuity with the brake pedal applied, and there should be none when this pedal is not applied.



(1) HOUSING FOR THE UPPER HEADLIGHT

- (2) BOLTS
- (3) SPEEDOMETER
- (4) CONNECTOR 6P
- (5) CONNECTOR 3P

Speedometer

- Remove the housing for the upper headlight.
- Remove the screws and the speedometer
- Disconnect the connectors 6P (white) and 3P (white) from the speedometer.

Carry out the installation in the reverse order to removal.

TORQUE:

3 Pinch bolts for the speedometer: 1.0 N·m (0.1 kgf·m)



(1) SPEEDOMETER

Checks:

Check for loose or defective contacts in the connectors 6P and 3P of the speedometer.

When starting the engine, check that the speedometer light comes on.

If the speedometer does not work at first, check the power lines and ground for the speedometer.

If the speedometer works initially but later does not move when in motion, check the system for the speed sensor.

Checking the power/ground lines

- Remove the speedometer.

NOTICE

Do not disconnect the connector 6P on the speedometer [1] during the checks.

With the connector 6P of the speedometer connected, check the following in the connector on the harness side.