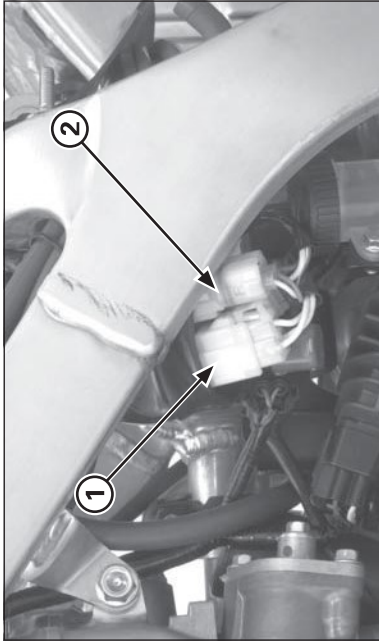
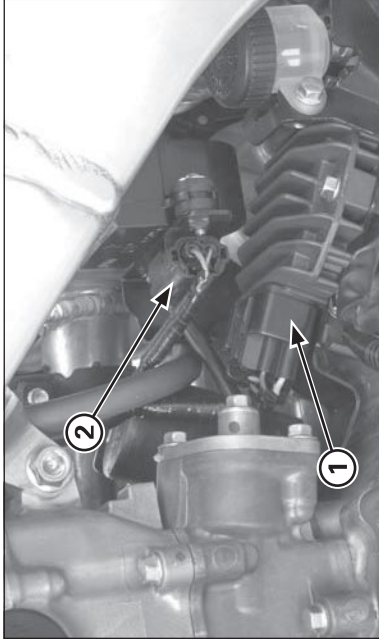


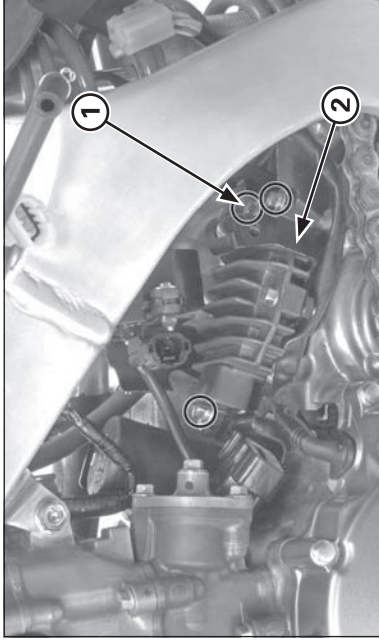
## Electrical servicing



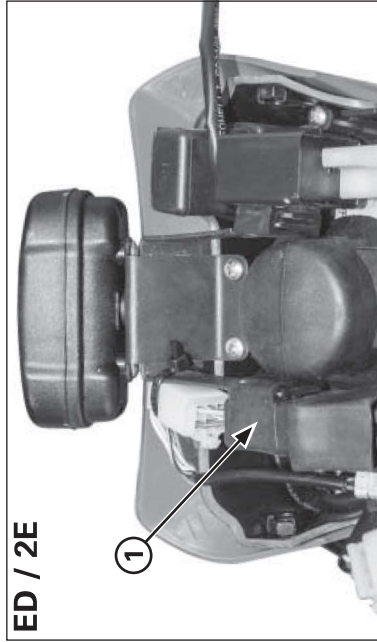
- (1) 3P (NATURAL) CONNECTOR
- (2) 2P (NATURAL) CONNECTOR



- (1) 2P (BLACK) CONNECTOR
- (2) 6P (BLACK) CONNECTOR



- (1) BOLTS
- (2) ELECTRIC STAY ASSEMBLY



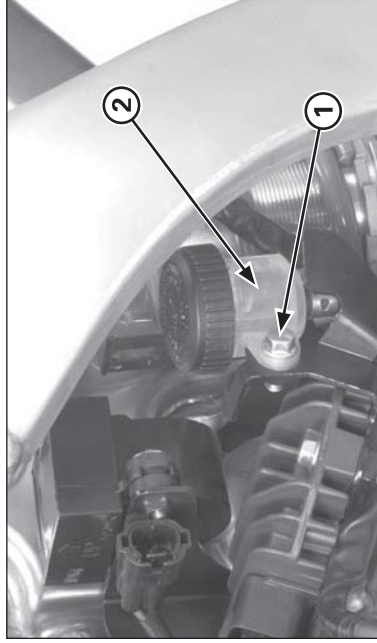
- (1) FAN MOTOR RELAY (Only for ED/2E version)

### Regulator/Rectifier Removal/installation

Remove the throttle body (page 4-10).

Disconnect the alternator 3P (Natural) connector and ignition pulse generator 2P (Natural) connector.

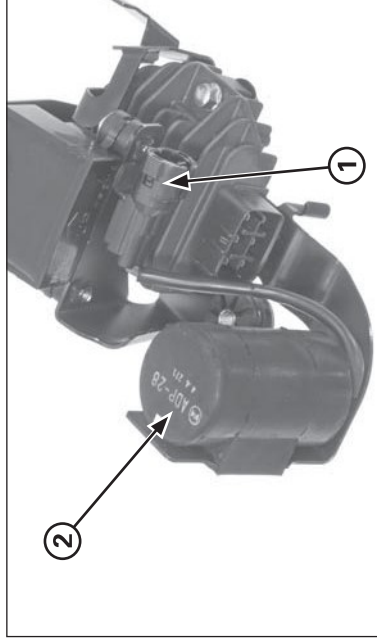
Remove the fan motor relay from the bracket.



- (1) BOLT
- (2) BRAKE RESERVOIR

Disconnect the condenser 2P (Black) and regulator/rectifier 6P (Black) connectors.

Remove the rear brake reservoir tank mounting bolt.



- (1) 2P (BLACK) CONNECTOR
- (2) CONDENSER

Remove the electric stay mounting bolts, then remove the stay assembly from the frame.

Release the condenser 2P (Black) connector, then remove the condenser from the electric stay.