

(1) FORK DAMPER HOLDER  
(2) RIGHT FORK CENTER BOLT

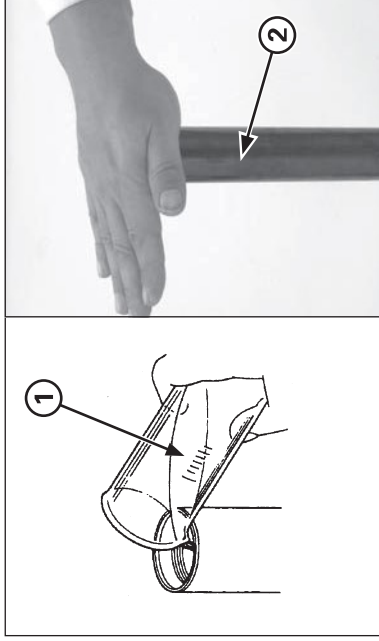
Hold the axle holder in a vise protected with a piece of woods or soft jaws to avoid damage. Do not overtighten the vise.

Install the right fork center bolt with a new sealing washer.

Hold the fork damper using the special tool, then tighten the right fork center bolt to the specified torque.

**Tool:**  
**Fork damper holder** 89515-NN3-821

**Torque:**  
**ED / 3E:** 23,5-25,5 N•m (2,39-2,59 kgf•m)  
**2E / 4E:** 34 N•m (3,5 kgf•m)



(1) FORK FLUID  
(2) FORK TUBE

Pour recommended fork fluid in the fork leg.

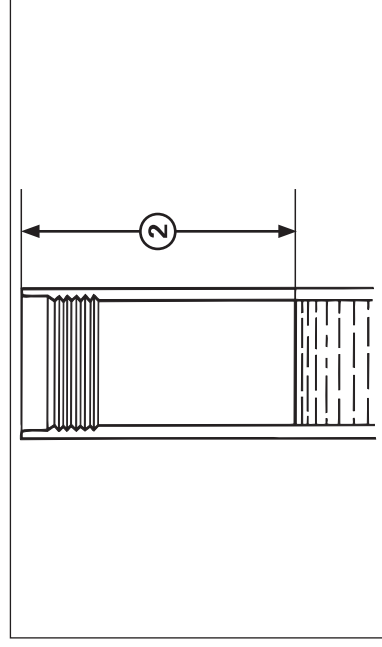
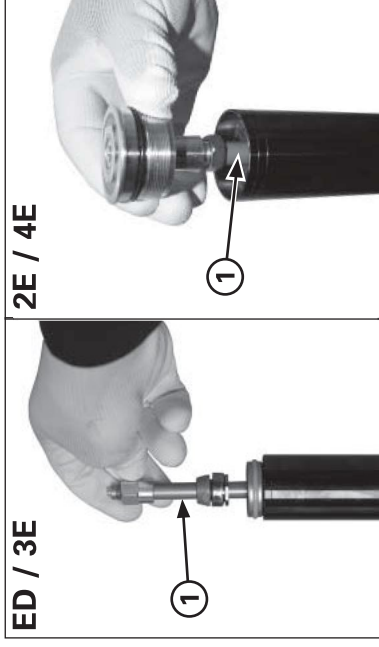
**Specified fork fluid:**

ED / 3E versions:  
Tech OJ01(SAE 5)

2E / 4E versions:  
Above 5 °C/41 °F:  
Showa SS05  
Below 5 °C/41 °F:  
Belray #5 or BP #10

Bleed the air as follows:

1. Extend the fork. Cover the top of the fork tube with your hand and compress the fork slowly several times.



(1) FORK DAMPER ROD  
(2) OIL LEVEL

2. Pump the damper rod 8 - 10 times.
3. Make sure no air in fork damper by slowly pull the damper rod up. If the resistance is felt at the top end, pump the damper rod again.

Wait 2 - 3 minutes before measuring the oil level. Measure the oil level from top of the fork tube.

	ED / 3E	2E / 4E
Standard oil level	50 mm (1.9 in)	38 mm (1.5 in)
Oil capacity	400 cm <sup>3</sup> (13.5 US oz) (14.1 Imp oz)	410 cm <sup>3</sup> (13.9 US oz) (14.4 Imp oz)