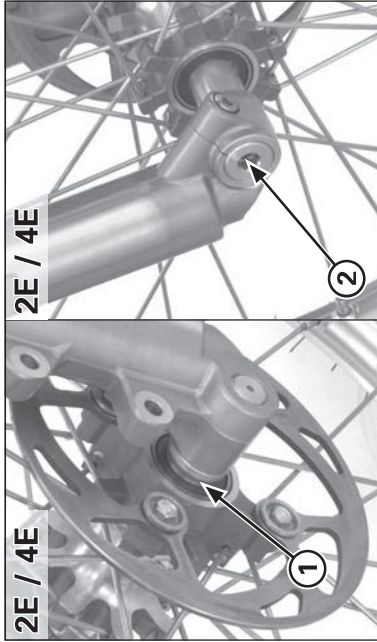


## Frame servicing



- (1) SIDE COLLAR (2E/4E)  
(2) AXLE

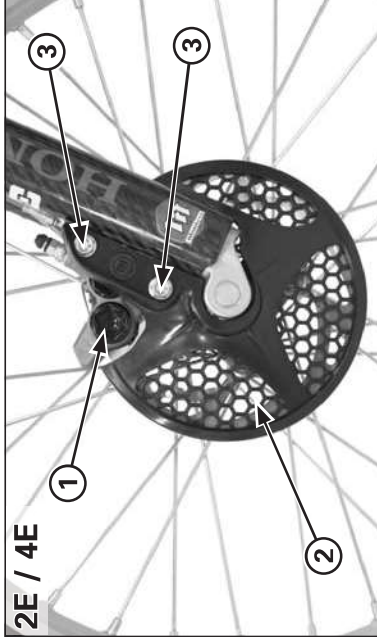
### Installation

Clean the surfaces where the axle and axle clamps contact each other.  
Place the front wheel between the fork legs.

Apply thin layer of grease to the axle surface.  
Apply grease to the axle threads.  
Install the axle from the right side through the wheel and left side collar.

Tighten the axle to the specified torque.

**Torque: 69 N·m (7.0 kgf·m, 51 lbf·ft)**

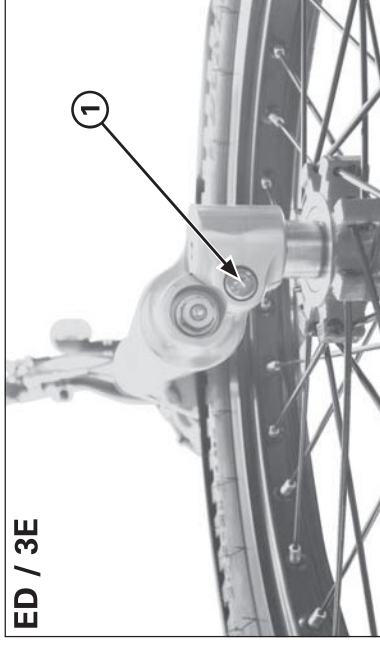


- (1) BRAKE CALIPER  
(2) DISC COVER  
(3) BOLTS

Install the brake caliper, flange collars and disc cover.  
Apply a locking agent to the threads and tighten the mounting bolts to the specified torque.

**Torque: 26 N·m (2.7 kgf·m, 20 lbf·ft)**

With the front brake applied, pump the fork up and down several times to seat the axle and check the front brake operation.



- (1) AXLE PINCH BOLT

While keeping the fork parallel, tighten the axle pinch bolt to the specified torque.

**Torque: 21 N·m (2.1 kgf·m, 17 lbf·ft)**