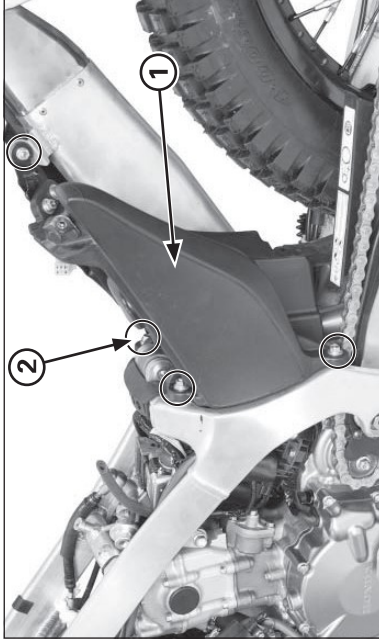


## Engine servicing



(1) AIR CLEANER HOUSING  
(2) BOLTS/NUTS

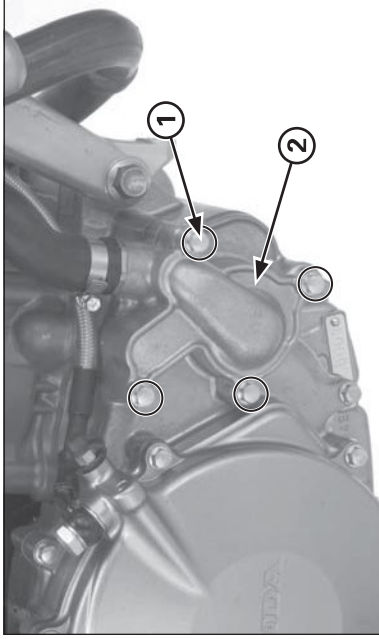
Install the air cleaner housing onto the frame and connect the crankcase breather hose.

Install and tighten the air cleaner housing mounting nuts and bolt securely.

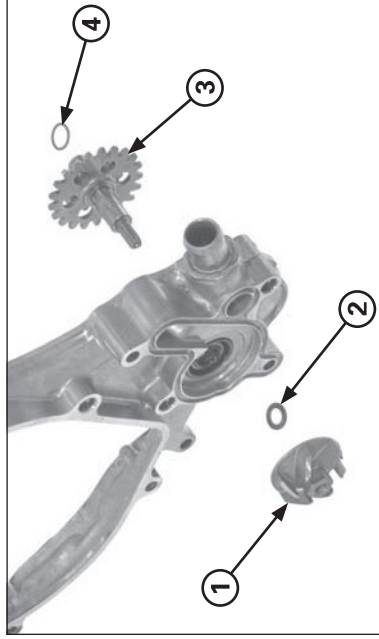
Install the washer and silencer mounting bolt, then tighten the bolt securely.

Tighten the connecting tube band screw securely.

Install the rear fender.



(1) BOLTS  
(2) WATER PUMP COVER



(1) IMPELLER  
(2) COPPER WASHER  
(3) WATER PUMP SHAFT  
(4) WASHER

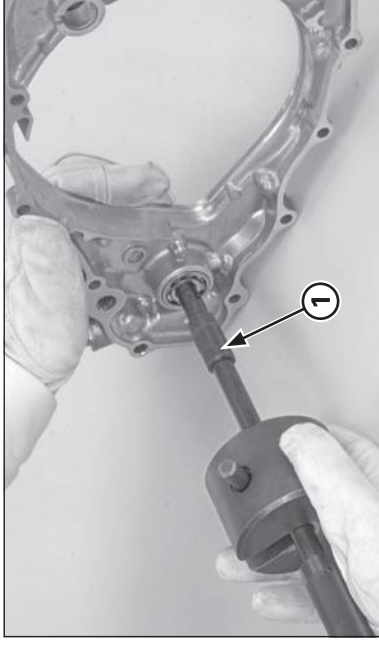
## Water Seal And Bearing Replacement

Drain the transmission oil (page 3-8).

Remove the following:

- Water pump cover bolt/cover/dowel pins/O-ring
- Right crankcase cover and washer (page 4-37)

Hold the water pump gear teeth using a suitable tool, then remove the impeller, copper washer and water pump shaft.



(1) BEARING REMOVER, 12 MM

Remove the water pump bearing from the right crankcase cover using the special tools.

**Tools:**

- Bearing remover, 12 mm** 07936-1660101
- Remover shaft** 07936-1660120
- Remover weight** 07741-0010201

Remove the oil seal and water seal.