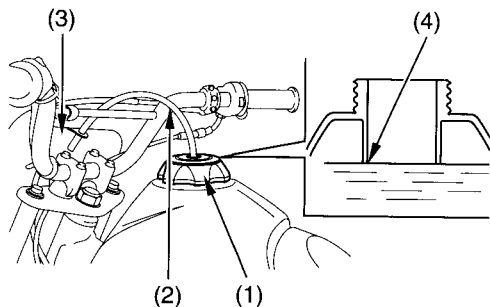


Refueling Procedure

Fuel Tank Capacity, including reserve:
6.2 ℓ (1.64 US gal , 1.36 Imp gal)

Reserve Capacity:
2.1 ℓ (0.55 US gal , 0.46 Imp gal)



(1) fuel fill cap
(2) breather tube

(3) front number plate
(4) filler neck

1. To open the fuel fill cap (1), pull the breather tube (2) away from the front number plate (3). Turn the fuel fill cap counterclockwise and remove it.
2. Add fuel until the level reaches the bottom of the filler neck (4). Avoid overfilling the tank. There should be no fuel in the filler neck.
3. After refueling, turn the fuel fill cap clockwise until it is secure.
4. Check that the breather tube is properly seated in the front number plate.

If you replace the fuel fill cap, use only a genuine Honda replacement part.