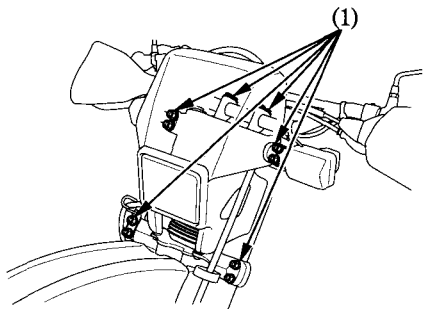


FRONT SUSPENSION

(Refer to the maintenance precautions on page 62).

Check the fork operation by locking the front brake and pumping the forks up and down several times. The suspension should function smoothly, with no oil leakage from the fork legs. Damaged, binding, or leaking fork should be repaired before the motorcycle is operated. Check security of all fork and handlebar mounting bolts (1).



(1) Mounting bolts

⚠ WARNING

- Operating the motorcycle with loose, worn, or damaged steering or front suspension components may adversely affect vehicle handling and stability.
- If any suspension components appear worn or damaged, consult your Honda dealer for further inspection. The suspension components are directly related to safety and your Honda dealer is qualified to determine whether or not replacement parts or repairs are needed.