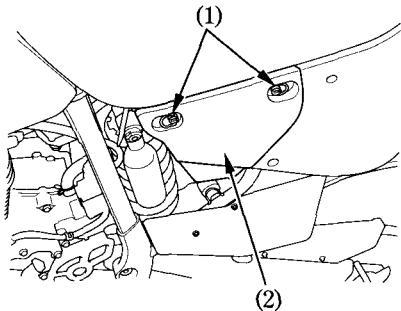


AIR CLEANER

(Refer to the maintenance precautions on page 62).

The air cleaner should be serviced at regular intervals (page 58). Service more frequently when riding in unusually wet or dusty areas.

1. Lift the D-ring on each quick-release fastener (1) and turn it counterclockwise until it releases. Open the air cleaner housing cover (2).

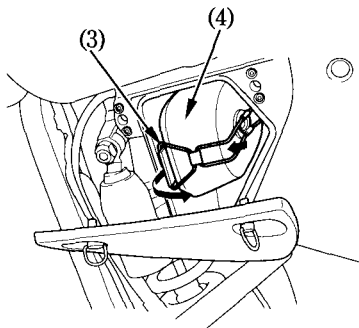


- (1) Quick-release fastener
(2) Air cleaner housing cover

2. Unhook the set spring (3).
3. Remove the air cleaner (4).
4. Wash the air cleaner in clean, nonflammable or high flash point solvent and let it dry thoroughly.

▲WARNING

- * Never use petrol or low flash point solvents for cleaning the air cleaner. A fire or explosion could result.**



- (3) Set spring (4) Air cleaner