

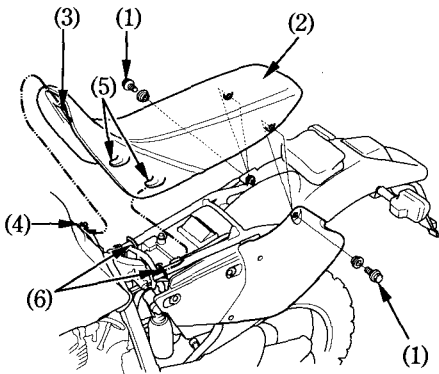
SEAT

Removal:

1. Remove the two bolts (1) securing the seat (2).
2. Slide the seat back.

Installation:

1. Align the locating slot (3) under the front of the seat with the pin (4) on the rear of the fuel tank.
2. Align the locating prongs (5) on the bottom of the seat with the hooks (6) on the frame.
3. Slide the seat into position.
4. Install the bolts and tighten them.



(1) Bolts

(2) Seat

(3) Slot

(4) Pin

(5) Prongs

(6) Hooks