

## LEFT HANDLEBAR CONTROLS

### Headlight Dimmer Switch (1)

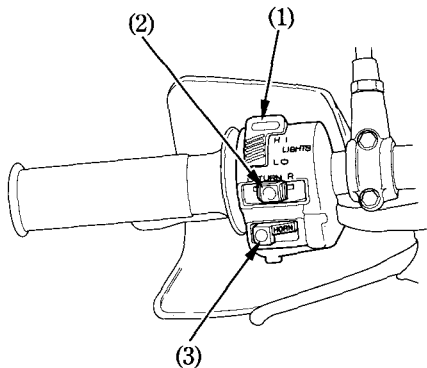
Select HI for high beam, LO for low beam.

### Turn Signal Switch (2)

Move to L to signal a left turn, R to signal a right turn. Press to turn signal off.

### Horn Button (3)

Press the button to sound the horn.



(1) Headlight dimmer switch

(2) Turn signal switch

(3) Horn button