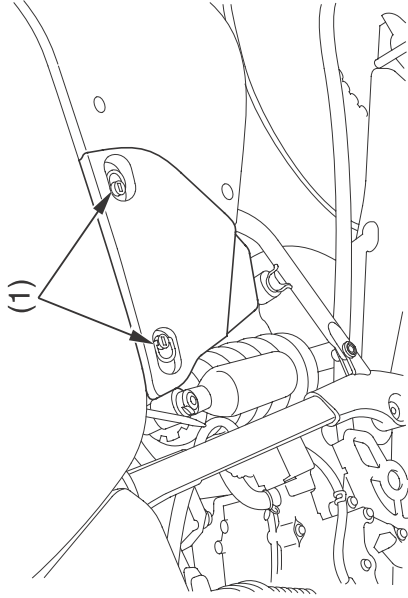


Air Cleaner Housing Cover Removal

Refer to *Safety Precautions* on page 45.

LEFT SIDE



(1) quick release fastener

The air cleaner housing cover must be removed to service the air cleaner.

Removal

1. Lift the D-ring on each quick-release fastener (1) and turn it counterclockwise until it releases.

Installation

1. Align the air cleaner housing cover with the air cleaner housing.
2. Push each quick-release fastener into its slot, lift its D-ring, and turn it clockwise until it is secure.

