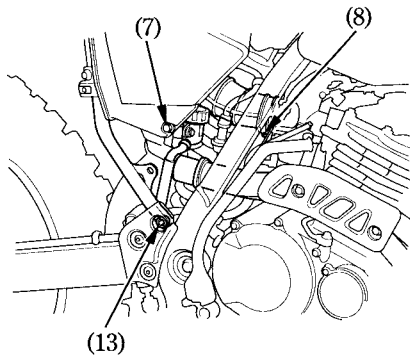


Remove the rear brake fluid reservoir stay mount bolt (7). Make sure you keep the reservoir in a level position throughout the procedure to prevent air entering the brake system.

5. Loosen the screw (8) on the air cleaner connecting tube clamp and remove the air cleaner connecting tube from the carburetor.



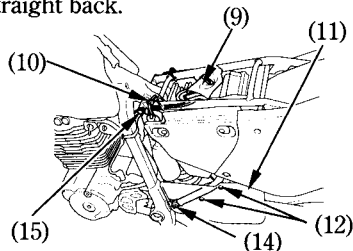
Bolt  
Screw

(13) Subframe lower side bolt

### CAUTION:

**\* Be careful not to allow dust into the carburetor, severe engine damage could result.**

6. Disconnect the electrical connectors (9).
7. Loosen the band and clip (10).
8. Remove the chain cover (11) by removing the two screws (12).
9. Remove the three subframe mounting bolts (13) (14) (15).
10. Remove the subframe by pulling it straight back.



- (9) Electrical connectors (12) Screws  
(10) Band and clip (14) Subframe lower side bolt  
(11) Chain cover (15) Subframe upper bolt