

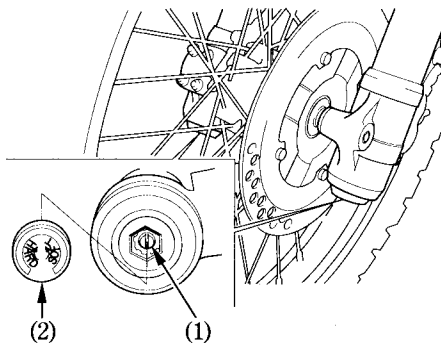
### mpression damping:

This adjustment affects how quickly the fork compresses. The fork compression damping adjuster screw (1) has 19 positions (clicks) or more. Turning the adjuster screw one full turn changes the adjuster 4 positions. To adjust the adjuster to the standard position, proceed as follows:

1. Remove the cap (2) and turn the adjuster screw clockwise until it stops. This is the full hard position.
2. Turn the adjuster screw counter-clockwise 7 clicks back from full hard. This is the standard position.
3. Make sure that both the right and left forks are adjusted in the same position.

### **CAUTION:**

**\*Always start with full hard when adjusting damping.**



(1) Damping adjuster screw

(2) Cap