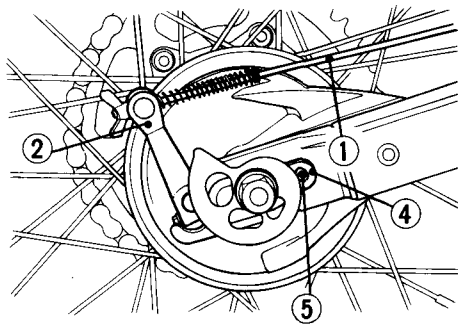


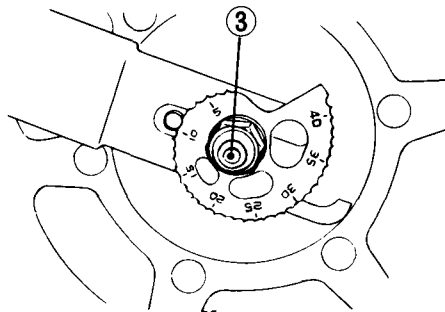
Rear Wheel Removal

1. Raise the rear wheel off the ground by placing a support under the engine.
2. Pull and lift the brake rod (1) up to disconnect it from the rear brake arm (2).



- (1) Brake rod
(2) Brake arm
(4) Stopper plate
(5) Stopper pin

3. Loosen the rear axle nut (3).
4. Pull the stopper plate (4) to the right until it is detached from the chain adjuster stopper pin (5).
5. Turn both adjusters so the rear wheel can be moved all the way forward for maximum drive chain slack.
6. Move the rear wheel forward. Derail the drive chain from the driven sprocket.
7. Remove the rear wheel with the rear axle.



- (4) Axle nut