

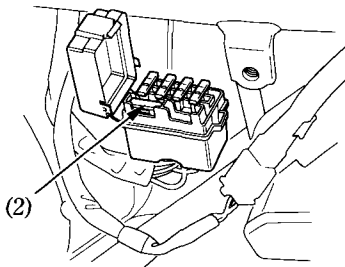
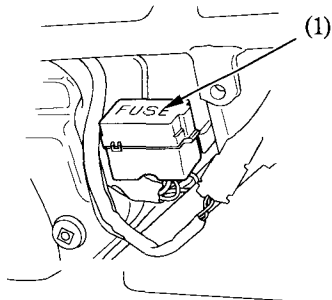
Fuse box:

The fuse box is located behind the left side cover.

The specified fuse is:

10A

1. Remove the the left side cover. (page 32)
2. Open the fuse box cover (1).
3. Pull out the old fuse and install a new fuse.
The spare fuse (2) is located in the fuse box.
4. Close the fuse box cover and install the left side cover.



- (1) Fuse box cover
(2) Spare fuse