

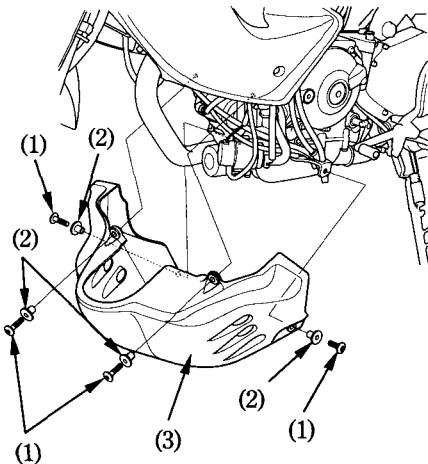
UNDER COWL

Removal:

1. Remove the bolts (1), and collars (2).
2. Remove the under cowl (3).

Installation:

- Installation can be done in the reverse order of removal.



- (1) Bolts
- (2) Collars
- (3) Under cowl