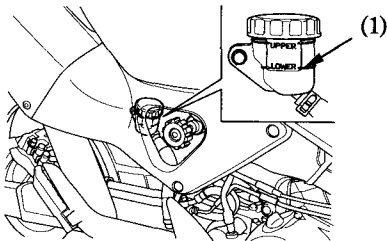
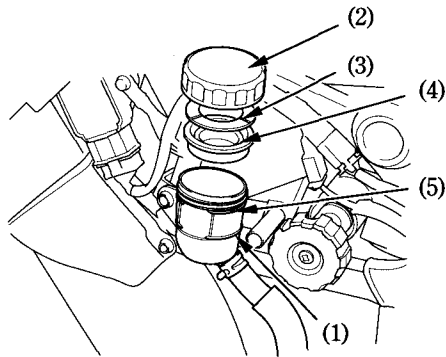


Check that the fluid level is above the LOWER level mark (1) with the motorcycle in an upright position.

Brake fluid must be added to the reservoir whenever the fluid level begins to reach the LOWER level mark (1). Remove the right side cover (page 43). Remove the reservoir cap (2), diaphragm plate (3), and diaphragm (4). Fill the reservoir with DOT 4 BRAKE FLUID from a sealed container up to the UPPER level mark (5). Reinstall the diaphragm, diaphragm plate and cap securely.



(1) LOWER level mark



(2) Reservoir cap

(3) Diaphragm plate

(4) Diaphragm

(5) UPPER level mark

Other Checks:

Make sure there are no fluid leaks. Check for deterioration or cracks in the hoses and fittings.