

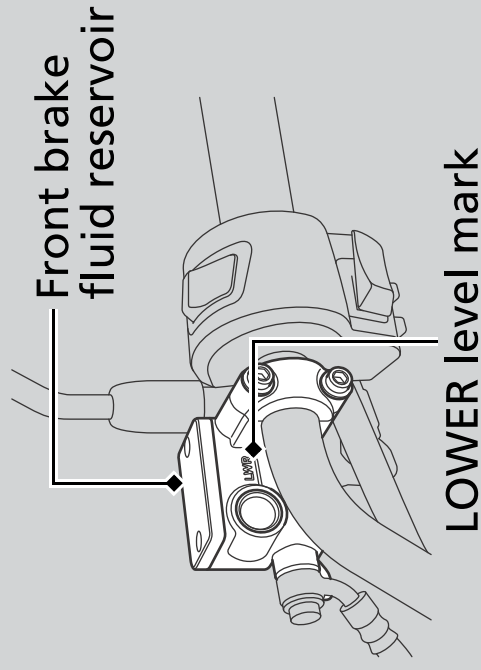
Checking Brake Fluid

1. Place your scooter in an upright position on a firm, level surface.
2. Check that the brake fluid reservoir is horizontal and that the fluid level is:

Front brake above the LOWER level mark.
CBS brake between the LOWER level and UPPER level marks.

If the brake fluid level in either reservoir is below the LOWER level mark or the brake lever freeplay becomes excessive, inspect the brake pads for wear. If the brake pads are not worn, you most likely have a leak. Have your scooter inspected by your dealer.

Front brake



CBS brake

