



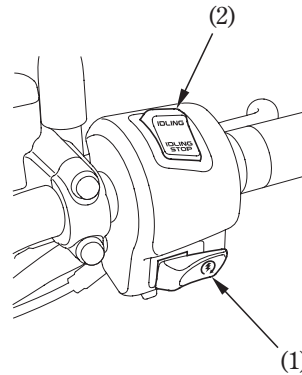
RIGHT HANDLEBAR CONTROLS

Start Button (1)

The start button is next to the throttle grip. When the start button is pressed, the starter motor cranks the engine. See page 68 for the starting procedure.

Idling Stop Switch (2)

Push the Idling Stop switch to activate or deactivate the Idling Stop system. Refer to the “**IDLING STOP SYSTEM**” on page 52 .



- (1) Start button
- (2) Idling Stop switch

