

REAR SEAT COVER

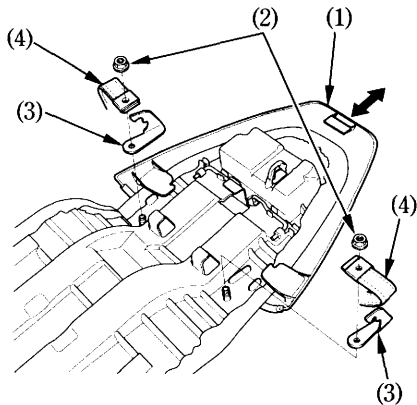
See your authorized Honda dealer for installation/removal of the rear seat cover.

Removal:

1. Remove the seat (see page 40).
2. Turn over the seat and remove the nuts (2).
3. Remove the seat belt (4).
4. Remove the hooks (3).
5. Remove the rear seat cover (1) by sliding it toward the rear.
6. Reinstall the hooks (3), seat belt (4) and nuts (2).

Installation:

- Installation can be done in the reverse order of removal.



- (1) Rear seat cover
- (2) Nuts
- (3) Hooks
- (4) Seat belt